



COUNTER SHOWCASE

HNC-120BE-L/R-B
HNC-150BE-L/R-B
HNC-180BE-L/R-B
HNC-210BE-L/R-B

PARTS LIST

[GENERAL]

S051-C168,S052-C168,S053-C168,S054-C168,
S055-C168,S056-C168,S057-C168,S058-C168,

K-0 JAN.2010
A-1 MAR.2011
C-1 APR.2013
C-2 JUN.2013
D-3 MAY.2014
E-1 FEB.2015

List of Specifications

HNC-120BE-L-B	S051-C168	W1200×D345×H270mm
HNC-120BE-R-B	S052-C168	W1200×D345×H270mm
HNC-150BE-L-B	S053-C168	W1500×D345×H270mm
HNC-150BE-R-B	S054-C168	W1500×D345×H270mm
HNC-180BE-L-B	S055-C168	W1800×D345×H270mm
HNC-180BE-R-B	S056-C168	W1800×D345×H270mm
HNC-210BE-L-B	S057-C168	W2100×D345×H270mm
HNC-210BE-R-B	S058-C168	W2100×D345×H270mm

AUXILIARY CODE

U - 1

The auxiliary code is the first two characters in the serial number. The first character indicates the production year. Years progress or regress in alphabetical order. The series of letters and skipped letters depend on UL listing, production, and model. See the auxiliary code(s) and corresponding year(s) on the front cover.

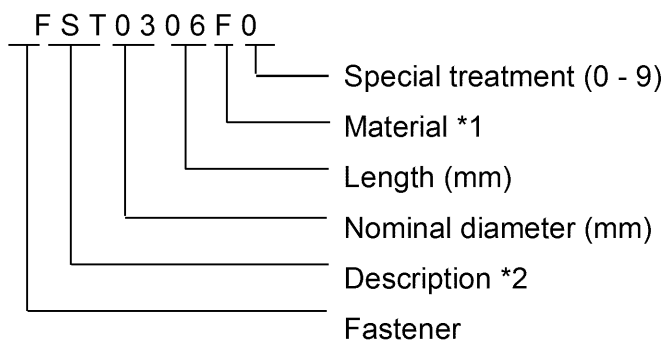
The second character indicates significant part changes within the same year. Base is "1" and this number advances for each change. If there is no significant part change at the turn of the year, this number starts from "0."

MARKS LOCATED UNDER THE AUXILIARY CODE

- = Part deleted.
- x = Part deleted and replaced by "o" part.
- o = New part in place of "x" part.

FASTENER PART NUMBER

SCREWS

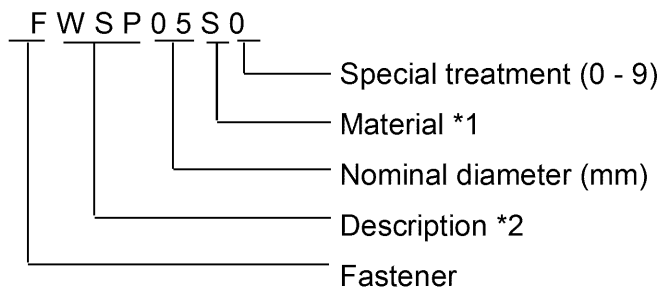


*1

Material

- F: Steel
- S: Austenitic stainless steel
- M: Martensitic stainless steel
- B: Copper alloy
- P: Polycarbonate
- N: Polyamide
- V: PVC
- A: ABS
- X: Polyacetal
- L: Aluminum

NUTS & WASHERS



*2

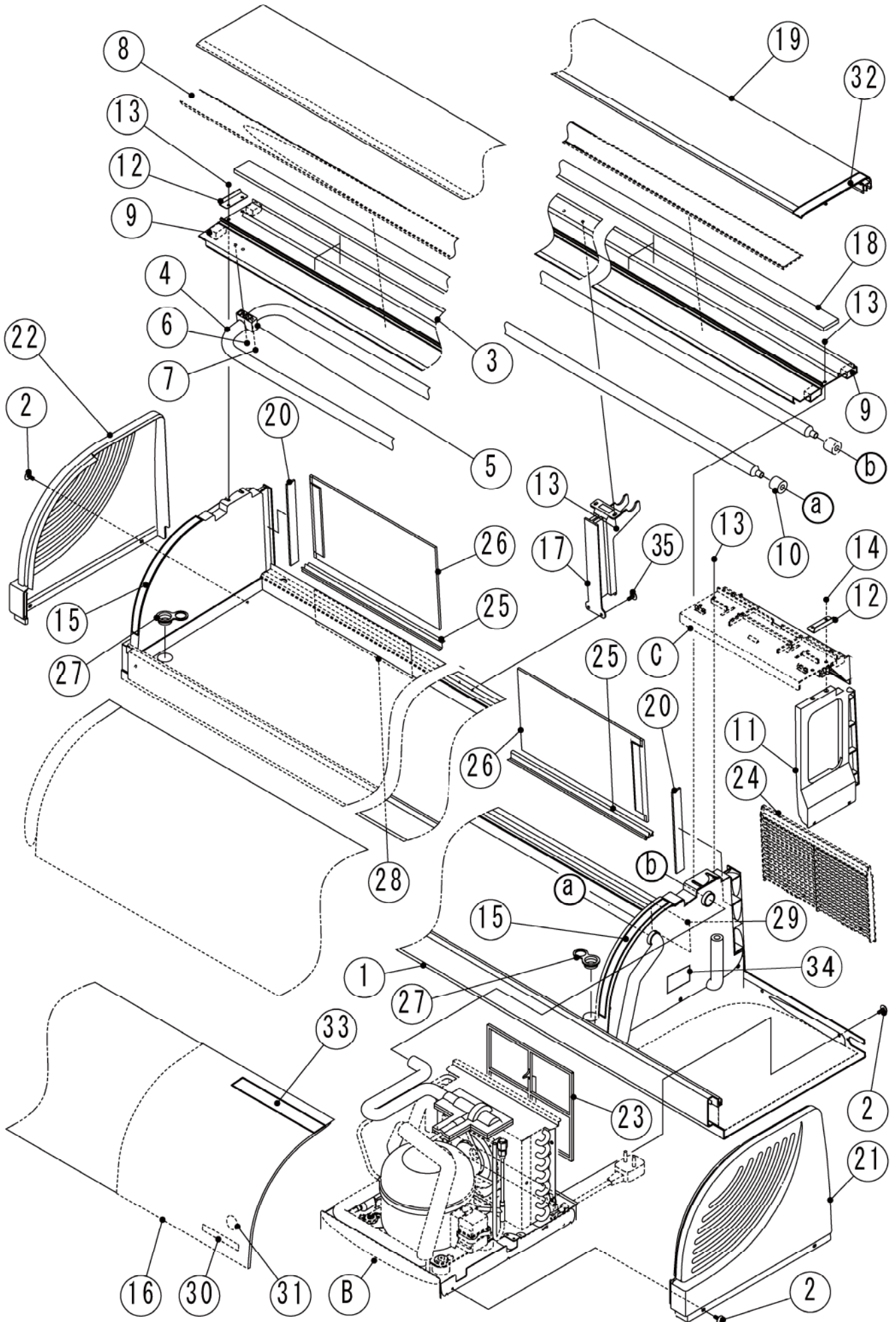
Description

First letter
S: Machine screw
T: Tapping screw
M: Wood screw
B: Bolt
W: Washer
N: Nut

HNC-120BE-L (R) -B
 HNC-150BE-L (R) -B
 HNC-180BE-L (R) -B
 HNC-210BE-L (R) -B

A. GENERAL AY

(K-0) and later



MODEL: HNC-120BE-L(R)-B HNC-150BE-L(R)-B HNC-180BE-L(R)-B HNC-210BE-L(R)-B				TITLE: A.GENERAL AY			
INDEX NO.	DESCRIPTION	MATERIAL OR MODEL NUMBER	PART NUMBER	REQ'D NUMBER			
				K-0,A-0 A-1,B-0 C-0	C-1	C-2,D-1 D-2	D-3,E-0
B	REFRIGERATION AY - L	(L)	1R2551001	1	-	-	-
			1R3271001	-	1	-	-
			1R3271004	-	-	1	1
	REFRIGERATION AY - R	(R)	1R2547001	1	-	-	-
			1R3270001	-	1	-	-
			1R3270004	-	-	1	1
C	ELB BRACKET AY	(L)	2R4742001	1	-	-	-
			2R4742002	-	1	-	-
			2R4742003	-	-	1	1
		(R)	2R4736001	1	-	-	-
			2R4736002	-	1	-	-
			2R4736003	-	-	1	1
D	ACCESSORIES	(120)	A02063001	1	1	1	1
		(150)	A02062001	1	1	1	1
		(180)	A02061001	1	1	1	1
		(210)	A02060001	1	1	1	1
1	BASE AY - 12L	(120BE-L)	1R2564001	1	-	-	-
			1R2564002	-	1	1	1
	BASE AY - 12R	(120BE-R)	1R2562001	1	1	-	-
			1R2562002	-	-	1	1
	BASE AY - 15L	(150BE-L)	1R2559001	1	-	-	-
			1R2559002	-	1	1	1
	BASE AY - 15R	(150BE-R)	1R2558001	1	1	-	-
			1R2558002	-	-	1	1
	BASE AY - 18L	(180BE-L)	1R2555001	1	-	-	-
			1R2555002	-	1	1	1
	BASE AY - 18R	(180BE-R)	1R2554001	1	1	-	-
			1R2554002	-	-	1	1
	BASE AY - 21L	(210BE-L)	1R2550001	1	-	-	-
			1R2550002	-	1	1	1
BASE AY - 21R	(210BE-R)	1R2546001	1	1	-	-	
		1R2546002	-	-	1	1	

MODEL: HNC-120BE-L(R)-B HNC-150BE-L(R)-B HNC-180BE-L(R)-B HNC-210BE-L(R)-B				TITLE: A.GENERAL AY			
INDEX NO.	DESCRIPTION	MATERIAL OR MODEL NUMBER	PART NUMBER	REQ'D NUMBER			
				K-0,A-0 A-1,B-0 C-0	C-1	C-2,D-1 D-2	D-3,E-0
2	TAPPING SCREW - BRACK		433954-01	6	6	6	6
3	TOP FRAME L - 12	(120BE-L)	2R4464M05	1	1	1	1
	TOP FRAME R - 12	(120BE-R)	2R4464M01	1	1	1	1
	TOP FRAME L - 15	(150BE-L)	2R4464M06	1	1	1	1
	TOP FRAME R - 15	(150BE-R)	2R4464M02	1	1	1	1
	TOP FRAME L - 18	(180BE-L)	2R4464M07	1	1	1	1
	TOP FRAME R - 18	(180BE-R)	2R4464M03	1	1	1	1
	TOP FRAME L - 21	(210BE-L)	2R4464M08	1	1	1	1
	TOP FRAME R - 21	(210BE-R)	2R4464M04	1	1	1	1
4	PIPE UP - EVAP12	(120)	3R5151G02	1	1	-	-
			P02942-02	-	-	1	1
	PIPE UP - EVAP15	(150)	3R5151G03	1	1	-	-
			P02942-03	-	-	1	1
	PIPE UP - EVAP18	(180)	3R5151G04	1	1	-	-
			P02942-04	-	-	1	1
PIPE UP - EVAP21	(210)	3R5151G05	1	1	-	-	
		P02942-05	-	-	1	1	
5	HOLDER AY		4R2804A01	1	1	1	1
6	TRUSS HEAD TAPPING SCREW T2		FT20410M0	1	1	1	1
7	TRUSS HEAD TAPPING SCREW T2		FT20430M0	1	1	1	1
8	TOP PACKING - 12	(120)	3S1630P01	1	1	1	1
	TOP PACKING - 15	(150)	3S1630P02	1	1	1	1
	TOP PACKING - 18	(180)	3S1630P03	1	1	1	1
	TOP PACKING - 21	(210)	3S1630P04	1	1	1	1
9	INSULATION - TOP FRAME		4R5131P01	4	4	4	4
10	SEAL A - EVAP		4R2368-01	2	2	2	2
11	SIDE FRAME L	(L)	2R4504P02	1	1	1	1
	SIDE FRAME R	(R)	2R4504P01	1	1	1	1
12	FOOK		4R5121M01	2	2	2	2
13	TRUSS HEAD TAPPING SCREW T2	(120)	FT20410M0	6	6	6	6
		(150,180,210)	FT20410M0	8	8	8	8
14	TRUSS HEAD TAPPING SCREW T1		FT10416M0	2	2	2	2
15	SOFT SEAL A		4R5133P01	2	2	2	2

MODEL: HNC-120BE-L(R)-B HNC-150BE-L(R)-B HNC-180BE-L(R)-B HNC-210BE-L(R)-B				TITLE: A.GENERAL AY			
INDEX NO.	DESCRIPTION	MATERIAL OR MODEL NUMBER	PART NUMBER	REQ'D NUMBER			
				K-0,A-0 A-1,B-0 C-0	C-1	C-2,D-1 D-2	D-3,E-0
16	FRONT GLASS - 12	(120)	P01641-02	1	1	1	1
	FRONT GLASS - 15	(150)	P01641-03	1	1	1	1
	FRONT GLASS - 18	(180)	P01641-04	1	1	1	1
	FRONT GLASS - 21	(210)	P01641-05	1	1	1	1
17	CENTER FRAME AY	(150,180,210)	2R4737G01	1	1	1	1
18	INSULATION B	(120)	4R5132P02	2	2	2	2
	INSULATION C	(150)	4R5132P03	2	2	2	2
	INSULATION D	(180)	4R5132P04	4	4	4	4
	INSULATION E	(210)	4R5132P05	4	4	4	4
19	TOP COVER - 12	(120)	2R4467P01	1	1	1	1
	TOP COVER - 15	(150)	2R4467P02	1	1	1	1
	TOP COVER - 18	(180)	2R4467P03	1	1	1	1
	TOP COVER - 21	(210)	2R4467P04	1	1	1	1
20	CUSSION - SIDE PANEL		4R5123R01	2	2	2	2
21	SIDE COVER R AY		3S2080G01	1	1	1	1
22	SIDE COVER L AY		3S2078G01	1	1	1	1
23	AIR FILTER		3S1695G01	1	1	1	1
24	LOUVER - UNIT		2R4506P01	1	1	1	1
25	SLIDER - 12	(120)	4R2254-02	1	1	1	1
	SLIDER - 15	(150)	4R2254-03	2	2	2	2
	SLIDER - 18	(180)	4R2254-04	2	2	2	2
	SLIDER - 21	(210)	4R2254-05	2	2	2	2
26	SLIDE DOOR - 12	(120)	3R5335G02	2	2	2	2
	SLIDE DOOR - 15	(150)	3R5335G03	4	4	4	4
	SLIDE DOOR - 18	(180)	3R5335G04	4	4	4	4
	SLIDE DOOR - 21	(210)	3R5335G05	4	4	4	4
27	CAP - DRAIN	(120)	4R2260-01	1	1	1	1
		(150,180,210)	4R2260-01	2	2	2	2
28	MAINTENANCE LABEL		2R4792L01	1	1	1	1
29	NAME PLATE		N/A	1	1	1	1
30	EMBLEM		456245-01	1	1	1	1
31	LABEL - PENGUIN	(L)	448818-02	1	1	1	1
		(R)	448818-01	1	1	1	1

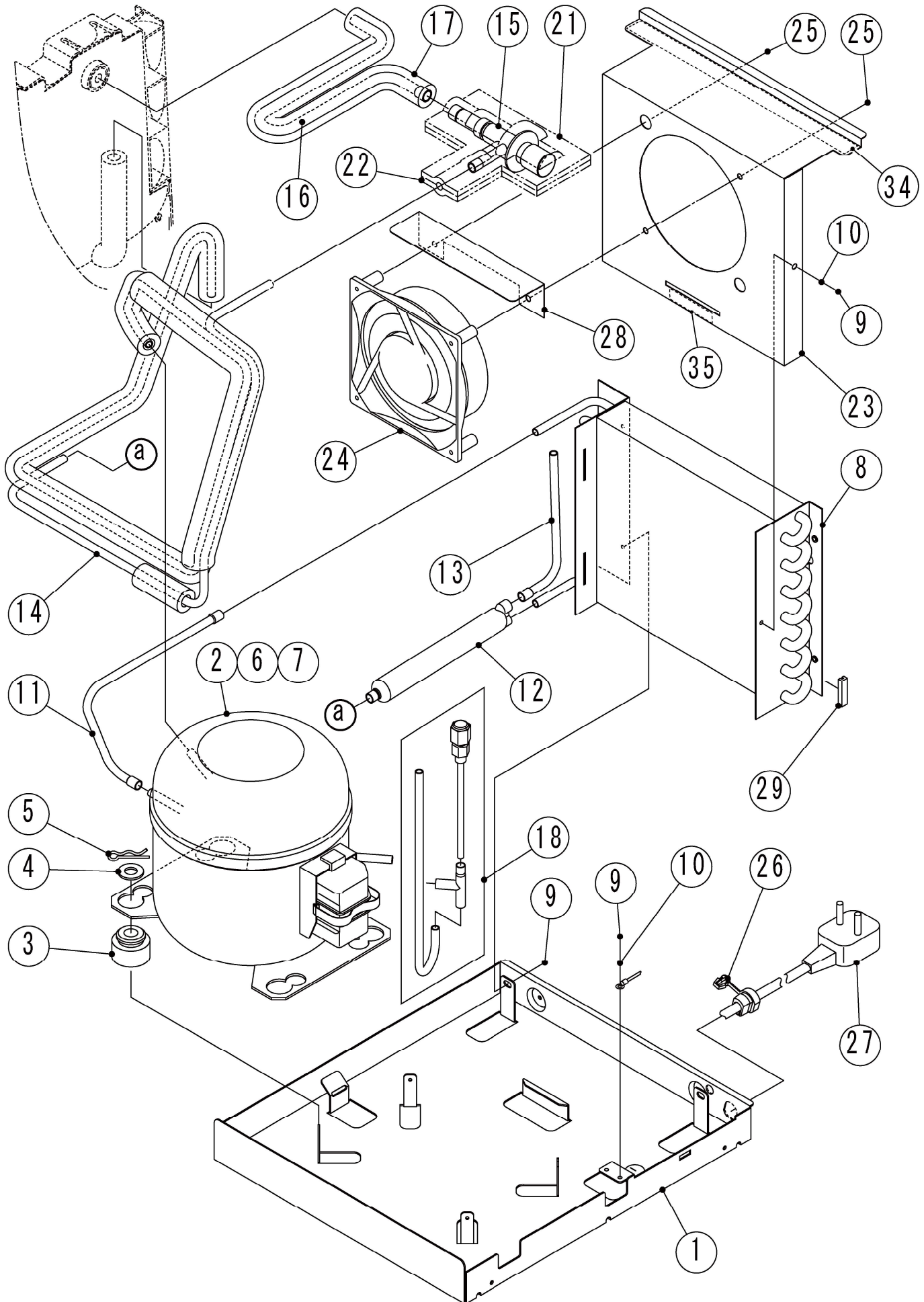
MODEL: HNC-120BE-L(R)-B HNC-150BE-L(R)-B HNC-180BE-L(R)-B HNC-210BE-L(R)-B				TITLE: A.GENERAL AY			
INDEX NO.	DESCRIPTION	MATERIAL OR MODEL NUMBER	PART NUMBER	REQ'D NUMBER			
				E-1			
B	REFRIGERATION AY - L	(L)	1R3271004	1			
	REFRIGERATION AY - R	(R)	1R3270004	1			
C	ELB BRACKET AY	(L)	2R4742003	1			
		(R)	2R4736003	1			
D	ACCESSORIES	(120)	A02063001	1			
		(150)	A02062001	1			
		(180)	A02061001	1			
		(210)	A02060001	1			
1	BASE AY - 12L	(120BE-L)	1R2564002	1			
	BASE AY - 12R	(120BE-R)	1R2562002	1			
	BASE AY - 15L	(150BE-L)	1R2559002	1			
	BASE AY - 15R	(150BE-R)	1R2558002	1			
	BASE AY - 18L	(180BE-L)	1R2555002	1			
	BASE AY - 18R	(180BE-R)	1R2554002	1			
	BASE AY - 21L	(210BE-L)	1R2550002	1			
	BASE AY - 21R	(210BE-R)	1R2546002	1			
2	TAPPING SCREW - BRACK		433954-01	6			
3	TOP FRAME L - 12	(120BE-L)	2R4464M05	1			
	TOP FRAME R - 12	(120BE-R)	2R4464M01	1			
	TOP FRAME L - 15	(150BE-L)	2R4464M06	1			
	TOP FRAME R - 15	(150BE-R)	2R4464M02	1			
	TOP FRAME L - 18	(180BE-L)	2R4464M07	1			
	TOP FRAME R - 18	(180BE-R)	2R4464M03	1			
	TOP FRAME L - 21	(210BE-L)	2R4464M08	1			
	TOP FRAME R - 21	(210BE-R)	2R4464M04	1			
4	PIPE UP - EVAP12	(120)	P02942-02	1			
	PIPE UP - EVAP15	(150)	P02942-03	1			
	PIPE UP - EVAP18	(180)	P02942-04	1			
	PIPE UP - EVAP21	(210)	P02942-05	1			
5	HOLDER AY		4R2804A01	1			
6	TRUSS HEAD TAPPING SCREW T2		FT20410M0	1			
7	TRUSS HEAD TAPPING SCREW T2		FT20430M0	1			

MODEL: HNC-120BE-L(R)-B HNC-150BE-L(R)-B HNC-180BE-L(R)-B HNC-210BE-L(R)-B				TITLE: A.GENERAL AY			
INDEX NO.	DESCRIPTION	MATERIAL OR MODEL NUMBER	PART NUMBER	REQ'D NUMBER			
				E-1			
8	TOP PACKING - 12	(120)	3S1630P01	1			
	TOP PACKING - 15	(150)	3S1630P02	1			
	TOP PACKING - 18	(180)	3S1630P03	1			
	TOP PACKING - 21	(210)	3S1630P04	1			
9	INSULATION - TOP FRAME		4R5131P01	4			
10	SEAL A - EVAP		4R2368-01	2			
11	SIDE FRAME L	(L)	2R4504P02	1			
	SIDE FRAME R	(R)	2R4504P01	1			
12	FOOK		4R5121M01	2			
13	TRUSS HEAD TAPPING SCREW T2	(120)	FT20410M0	6			
		(150,180,210)	FT20410M0	8			
14	TRUSS HEAD TAPPING SCREW T1		FT10416M0	2			
15	SOFT SEAL A		4R5133P01	2			
16	FRONT GLASS - 12	(120)	P01641-02	1			
	FRONT GLASS - 15	(150)	P01641-03	1			
	FRONT GLASS - 18	(180)	P01641-04	1			
	FRONT GLASS - 21	(210)	P01641-05	1			
17	CENTER FRAME AY	(150,180,210)	2R4737G01	1			
18	INSULATION B	(120)	4R5132P02	2			
	INSULATION C	(150)	4R5132P03	2			
	INSULATION D	(180)	4R5132P04	4			
	INSULATION E	(210)	4R5132P05	4			
19	TOP COVER - 12	(120)	2R4467P01	1			
	TOP COVER - 15	(150)	2R4467P02	1			
	TOP COVER - 18	(180)	2R4467P03	1			
	TOP COVER - 21	(210)	2R4467P04	1			
20	CUSSION - SIDE PANEL		4R5123R01	2			
21	SIDE COVER R AY		3S2080G01	1			
22	SIDE COVER L AY		3S2078G01	1			
23	AIR FILTER		3S1695G01	1			
24	LOUVER - UNIT		2R4506P01	1			

HNC-120BE-L (R) -B
HNC-150BE-L (R) -B
HNC-180BE-L (R) -B
HNC-210BE-L (R) -B

B. REFRIGERATION AY/L (R)

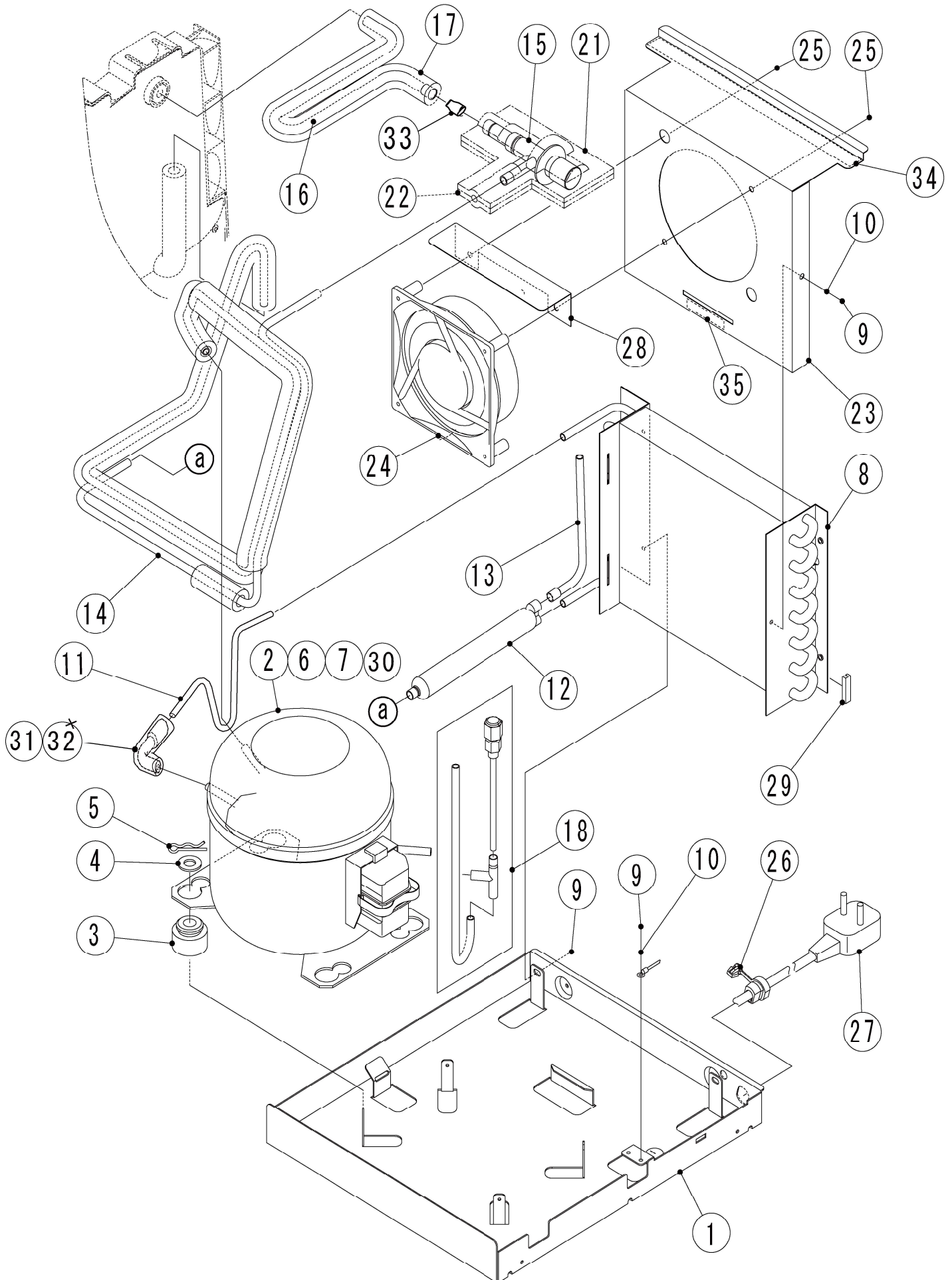
(K-0) and later



HNC-120BE-L (R) -B
HNC-150BE-L (R) -B
HNC-180BE-L (R) -B
HNC-210BE-L (R) -B

B. REFRIGERATION AY/L (R)

(C-1) and later



GENERAL

MODEL: HNC-120BE-L(R)-B HNC-150BE-L(R)-B HNC-180BE-L(R)-B HNC-210BE-L(R)-B				TITLE: B.REFRIGERATION AY - L (R)			
INDEX NO.	DESCRIPTION	MATERIAL OR MODEL NUMBER	PART NUMBER	REQ'D NUMBER			
				K-0,A-0 A-1,B-0 C-0	C-1	C-2,D-1 D-2	D-3,E-0
1	BASE - UNIT	(L)	2R4551M06	1	-	-	-
			2R6564M01	-	1	1	1
		(R)	2R4551M05	1	-	-	-
			2R6567M01	-	1	1	1
2	COMPRESSOR		P02211-01	1	-	-	-
			P01902-01	-	1	1	1
3	RUBBER GROMMET		443695-01	4	-	-	-
	GROMMET		450897-01	-	4	4	4
4	FLAT WASHER		FWPL10S0	3	3	3	3
5	SNAP PIN		715S-0010	3	3	3	3
6	TERMINAL COVER 8		437648-01	1	-	-	-
	COVER		450896-01	-	1	1	1
7	COVER BAND H		437649-01	1	-	-	-
	CORD RELIEF		4A3264-01	-	1	1	1
8	CONDENSER		P01558-01	1	1	1	1
9	TRUSS HEAD TAPPING SCREW (S-TITE)		FST0408S0	4	4	4	4
10	SPRING WASHER		FWSP04S0	2	2	2	2
11	COPPER TUBE A - HI L	(L)	3S2129M02	1	-	-	-
			4R6103M01	-	1	1	1
	COPPER TUBE A - HI R	(R)	3S2129M01	1	-	-	-
			4R6105M01	-	1	1	1
12	DRIER		458772-01	1	1	1	1
13	COPPER TUBE K		4R5252M02	1	1	1	1
14	HEAT EXCHANGER L	(L)	2R4784G01	1	-	-	-
			2R6565G01	-	1	-	-
			2R6799G01	-	-	1	1
	HEAT EXCHANGER R	(R)	2R4783G01	1	-	-	-
			2R6566G01	-	1	-	-
			2R7139G01	-	-	1	1
15	EXPANSION VALVE		447283-01	1	1	-	-
			447283-04	-	-	1	1

GENERAL

MODEL: HNC-120BE-L(R)-B HNC-150BE-L(R)-B HNC-180BE-L(R)-B HNC-210BE-L(R)-B		TITLE: B.REFRIGERATION AY - L (R)					
INDEX NO.	DESCRIPTION	MATERIAL OR MODEL NUMBER	PART NUMBER	REQ'D NUMBER			
				K-0,A-0 A-1,B-0 C-0	C-1	C-2,D-1 D-2	D-3,E-0
16	COPPER TUBE - EVAP		3S1771M01	1	1	-	-
		(L)	3S4055M01	-	-	1	1
		(R)	3S4055M02	-	-	1	1
17	INSULATION TUBE		H71020400	1	1	-	-
			3S3791P04	-	-	1	1
18	CHARGE PIPE - ASSY	(L)	3Z1850G01	1	1	1	1
		(R)	3Z1890G01	1	1	1	1
21	COVER A - EXPV		321949-05	1	1	1	1
22	COVER B - EXPV		321949-06	1	1	1	1
23	SHROUD	(L)	3S1772M02	1	1	1	1
		(R)	3S1772M01	1	1	1	1
24	FAN MOTOR		4R2823-01	1	1	1	-
			P03350-01	-	-	-	1
25	TRUSS HEAD TAPPING SCREW T2		FT20410M0	3	3	3	3
26	BUSHING		448949-01	1	1	1	1
27	POWER SUPPLY CORD - ASSY		4R5299A01	1	1	1	1
28	WATER COVER - FAN		4R5405M01	1	1	1	1
29	BUSHING		7991KB025	1	1	1	1
30	START CAPACITOR		452765-01	-	1	1	1
31	ELBOW		4R6330M01	-	1	1	1
32	INSULATION TUBE		3S3791P05	-	1	-	-
33	REDUCER		420915-11	-	-	1	1
34	SUPER SHEET - SH		4Y9368Z02	1	1	1	1
35	SUPER SHEET - SH		4Y9368Z03	1	1	1	1

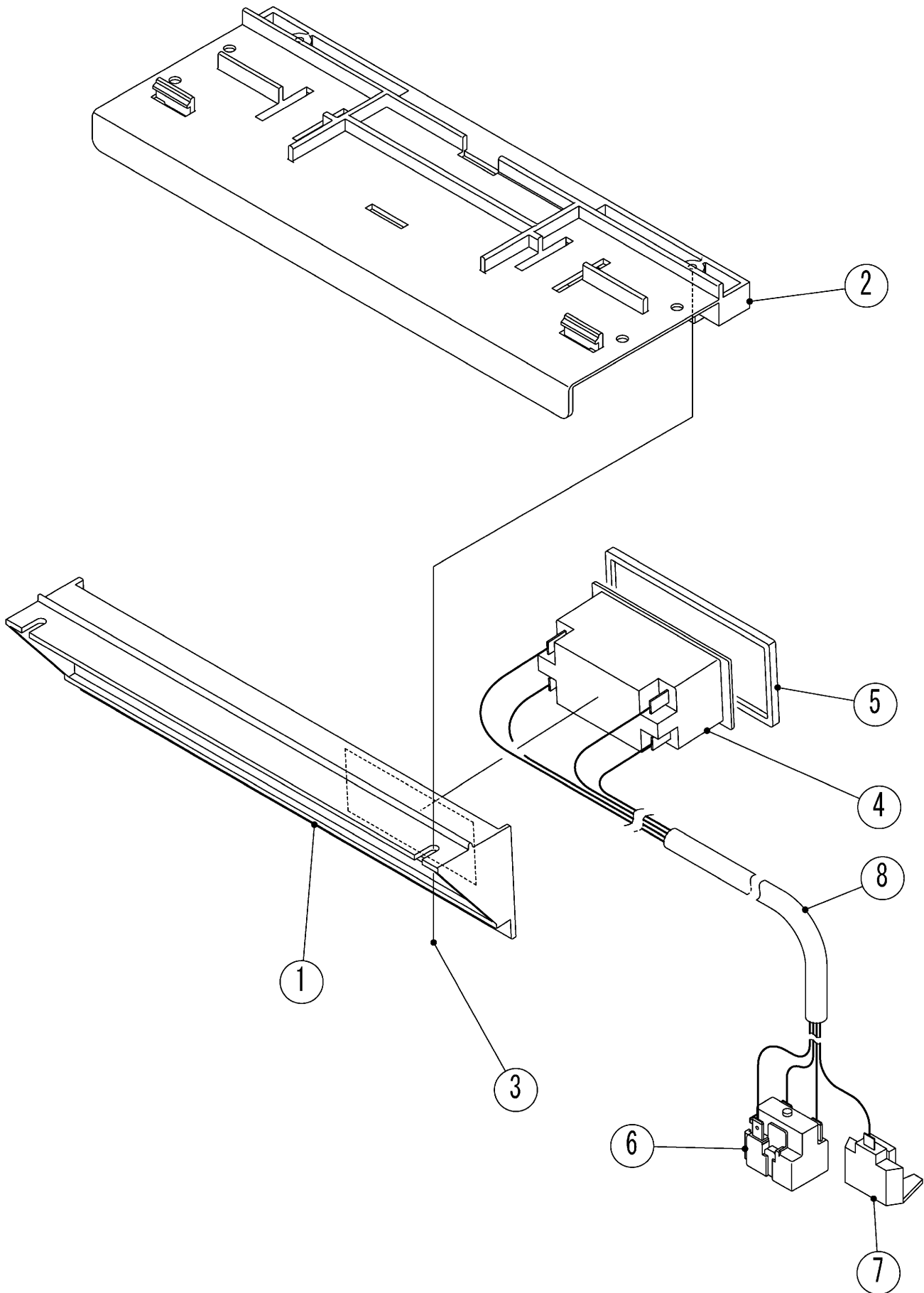
GENERAL

MODEL: HNC-120BE-L(R)-B HNC-150BE-L(R)-B HNC-180BE-L(R)-B HNC-210BE-L(R)-B		TITLE: B.REFRIGERATION AY - L(R)					
INDEX NO.	DESCRIPTION	MATERIAL OR MODEL NUMBER	PART NUMBER	REQ'D NUMBER			
				E-1			
1	BASE - UNIT	(L)	2R6564M01	1			
		(R)	2R6567M01	1			
2	COMPRESSOR		P01902-01	1			
3	GROMMET		450897-01	4			
4	FLAT WASHER		FWPL10S0	3			
5	SNAP PIN		715S-0010	3			
6	COVER		450896-01	1			
7	CORD RELIEF		4A3264-01	1			
8	CONDENSER		P01558-01	1			
9	TRUSS HEAD TAPPING SCREW (S-TITE)		FST0408S0	4			
10	SPRING WASHER		FWSP04S0	2			
11	COPPER TUBE A - HI L	(L)	4R6103M01	1			
	COPPER TUBE A - HI R	(R)	4R6105M01	1			
12	DRIER		458772-01	1			
13	COPPER TUBE K		4R5252M02	1			
14	HEAT EXCHANGER L	(L)	2R6799G01	1			
	HEAT EXCHANGER R	(R)	2R7139G01	1			
15	EXPANSION VALVE		447283-04	1			
16	COPPER TUBE - EVAP	(L)	3S4055M01	1			
		(R)	3S4055M02	1			
17	INSULATION TUBE		3S3791P04	1			
18	CHARGE PIPE - ASSY	(L)	3Z1850G01	1			
		(R)	3Z1890G01	1			
21	COVER A - EXPV		321949-05	1			
22	COVER B - EXPV		321949-06	1			
23	SHROUD	(L)	3S1772M02	1			
		(R)	3S1772M01	1			
24	FAN MOTOR		P03350-01	1			
25	TRUSS HEAD TAPPING SCREW T2		FT20410M0	3			
26	BUSHING		448949-01	1			
27	POWER SUPPLY CORD - ASSY		4R5299A01	1			
28	WATER COVER - FAN		4R5405M01	1			
29	BUSHING		7991KB025	1			

HNC-120BE-L (R) -B
HNC-150BE-L (R) -B
HNC-180BE-L (R) -B
HNC-210BE-L (R) -B

C. ELB BRACKET AY

(K-0) and later



GENERAL

MODEL: HNC-120BE-L(R)-B HNC-150BE-L(R)-B HNC-180BE-L(R)-B HNC-210BE-L(R)-B		TITLE: C.ELB BRACKET AY					
INDEX NO.	DESCRIPTION	MATERIAL OR MODEL NUMBER	PART NUMBER	REQ'D NUMBER			
				K-0,A-0 A-1,B-0 C-0	C-1	C-2,D-1 D-2	D-3,E-0
1	ELB BRACKET	(L)	2R4479P02	1	1	1	1
		(R)	2R4479P01	1	1	1	1
2	TOP FRAME - UNIT		2R4478P01	1	1	-	-
			2R4478P02	-	-	1	1
3	TRUSS HEAD TAPPING SCREW T1		FT10416M0	2	2	2	2
4	LEAK BREAKER		461853-01	1	1	1	1
5	COVER - ELB		461854-01	1	1	1	1
6	STARTER		446799-01	1	-	-	-
	STARTING RELAY		P01903-01	-	1	1	1
7	MOTOR PROTECTOR		446791-03	1	-	-	-
8	WIREHARNES - UNIT		3S2138G01	1	-	-	-
			3S2138G02	-	1	1	1

HNC-120BE-L (R) -B
HNC-150BE-L (R) -B
HNC-180BE-L (R) -B
HNC-210BE-L (R) -B

D. ACCESSORIES AY

(K-0) and later

